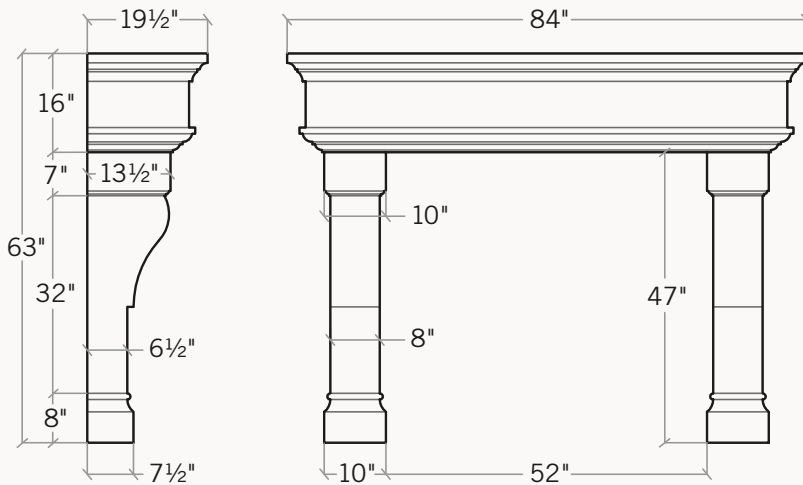
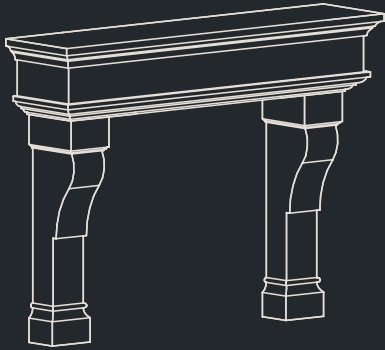




KINDRED

OUTDOORS + SURROUNDS



The Palacio ships pre-sealed with the following:

Stone Mantel & Legs

Ledger Board & Screws
for easy installation

3 Trim Panels in matching
color & finish—

1 @ 5" x 54"

2 @ 5" x 42"

Large Tube Color-Matched
Caulking

3oz Bottle of Color Wash
for touch-ups

Large Tube of Adhesive
Shims

The Palacio™

Fireplace Surround

Fireplaces forged
with the heritage of
craftsmanship

The majestic form of The Palacio draws you in with its impressive size and stature. Paired with a rustic stone, it transports you to a countryside manor. Its commanding presence will easily become the focal masterpiece for any luxurious space.

Please contact us at **800.925.1491** for any questions regarding a Kindred Fireplace Surround. Our experienced team can assist you with questions ranging from product information, installation and design recommendations. We also encourage you to explore our website at www.mykindredliving.com for more details and ideas.